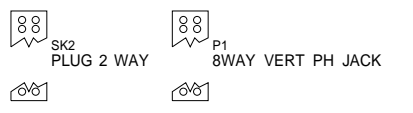
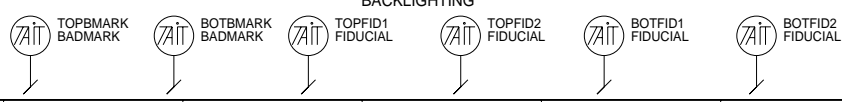


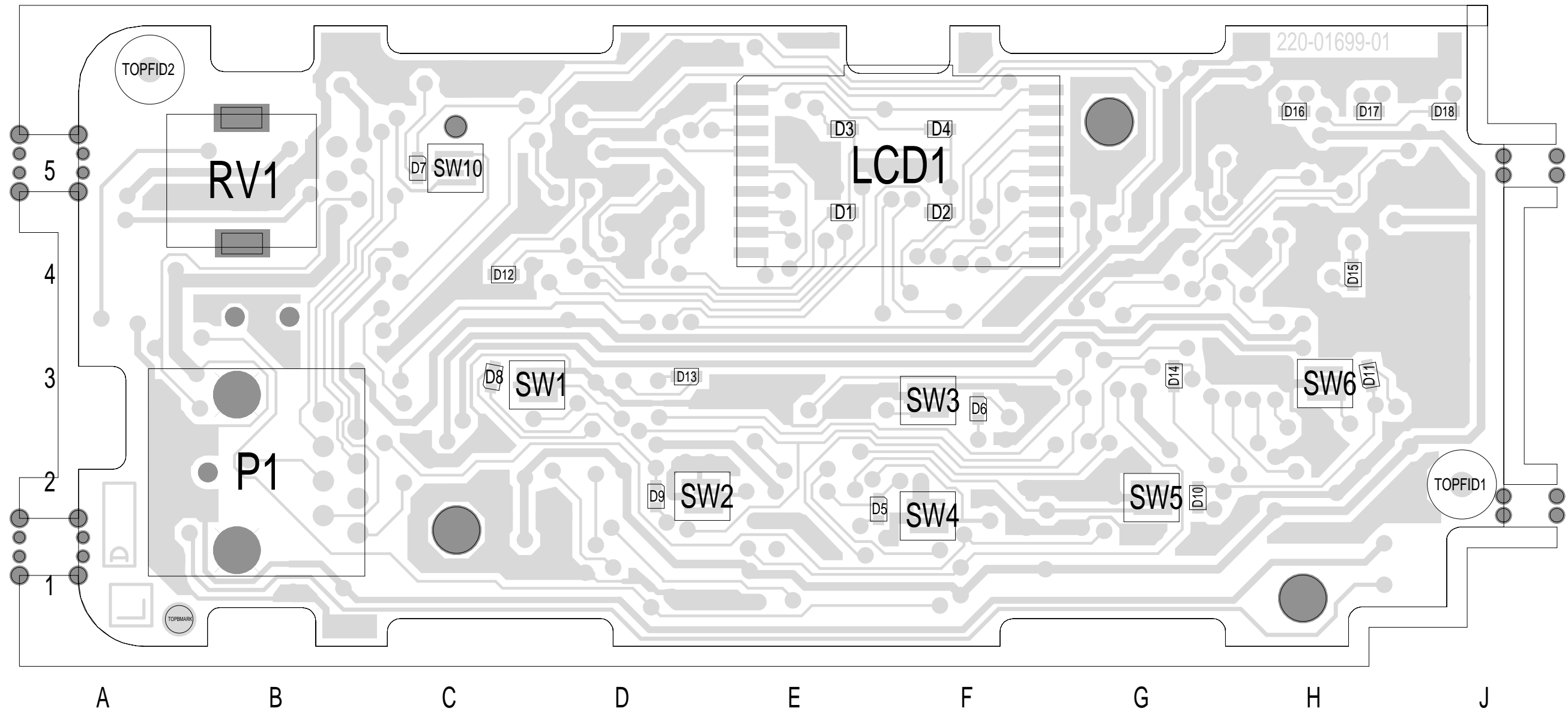
01	CLONED FROM 0011504B.CCO:00115-05	RPS	24/04/03
REV/ISS	AMENDMENTS	DRAWN	CHKD
		D.O.	APVD
			DATE

© TAIT ELECTRONICS  
**T9000 CONTROL HEAD**  
**MID TIER BOARD DESIGN**

IPN: 220-01699-01  
 ISSUE: A 2.S.C. 1

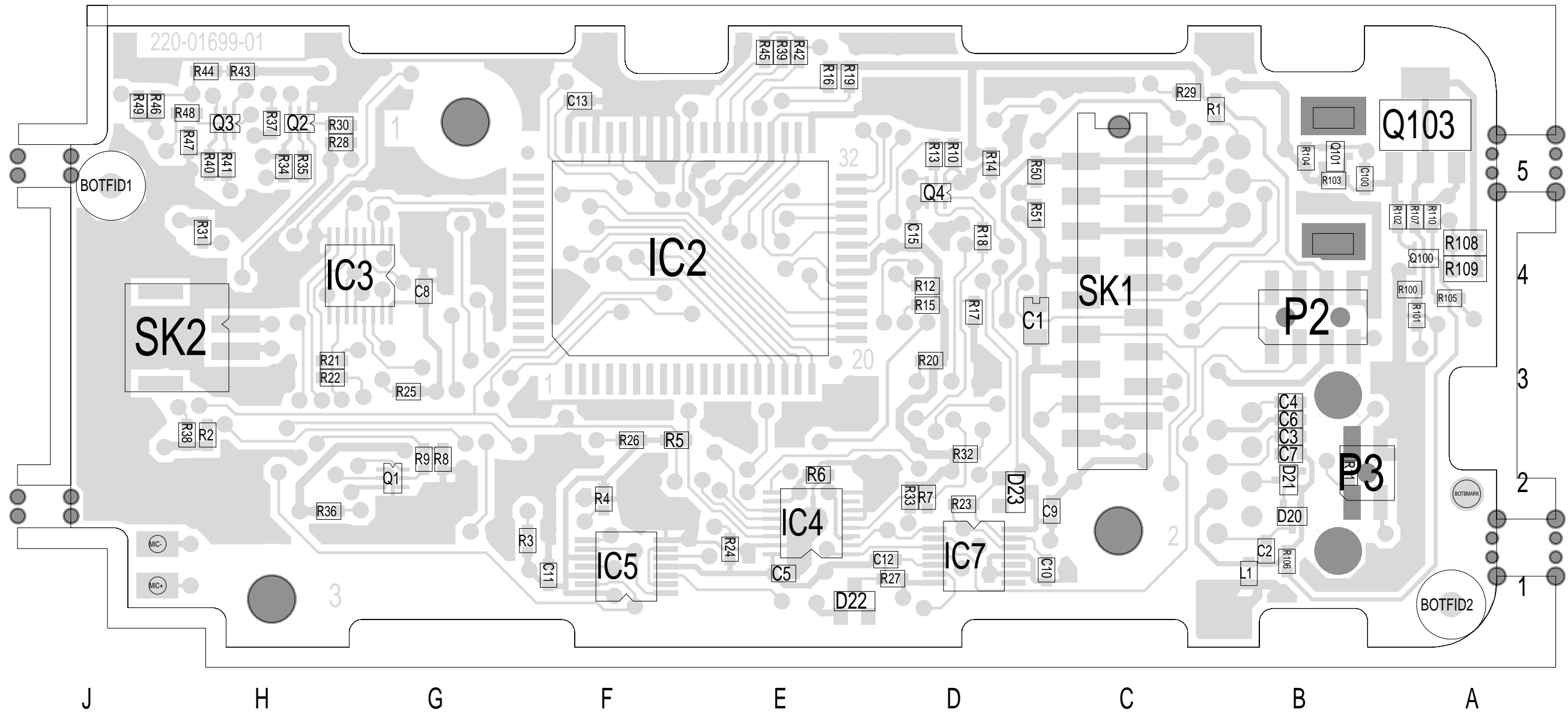
PROJECT: TM8000 DESIGNER: RPS FILE NAME: 0169901a FILE DATE: 24-Apr-03 NO. SHEETS: 1





TAIT ELECTRONICS	IPN: 220-01699-01	ISS: A	ID: 1.TA	DATE: 24 Apr 2003
CONTROL HEAD PCB LAYOUT - TOP SIDE				

Scale:3:1 ; Rotation: 0 degrees



TAIT ELECTRONICS	IPN: 220-01699-01	ISS: A	ID: 2.BA	DATE: 24 Apr 2003
CONTROL HEAD PCB LAYOUT - BOTTOM SIDE				

Scale:3:1 ; Rotation: 0 degrees